



AVALON
KITCHEN FURNITURE

BY



Since 1868





AVALON

Since 1868

INTRODUCTION

Longstanding family values.....4

Manufacturing responsibly.....7

KITCHEN COLLECTIONS

Moderna..... 8

Integra Matt28

Integra Gloss38

Haddington 50

Pendle 62

Kinder.....72

Image..... 82

Solent..... 94

Metro..... 108

Storage Solutions..... 120

Hinges & Drawerboxes 126

Worktops..... 128

Handle Collection 134

Guarantee 151



LONGSTANDING

Family values

Avalon kitchen furniture is proudly manufactured in the UK by JJO plc. We are a family business, established in 1868 focused upon the present and the future. Operating from a modern production facility in East Lancashire, covering over 1.2 million square feet, we are a true manufacturer employing over 300 staff. Our heritage guides our culture, which defines the way we produce excellent furniture.

Over two thirds of the shares of the business are within an employment ownership trust, essentially meaning that the staff own the majority of the business, with the balance remaining in the

guiding hands of the original family ownership. This true partnership ensures a greater level of engagement throughout the business ensuring continuous improvement.

Pride in our people is coupled with a real focus upon our retail partners. Avalon Kitchen furniture is only available through a network of selected independent retailers. This is a long-standing conscious decision, ensuring our furniture is presented and sold by passionate like-minded kitchen retailers, who excel within their areas of expertise.





MANUFACTURING

Responsibly

There are many spurious claims of environmental awareness from manufacturers and organisations as the pressure on preserving natural resources rightly becomes crucial. How many businesses and manufacturers can demonstrate without doubt they are committed to reducing their carbon footprint and have won awards for their achievements to date?

JJO plc recognised many years ago there are tangible benefits to manufacturing responsibly.

Amongst the many awards won in recognition of our environmental approach, includes the "Green Apple Environmental Award" presented at the Houses of Parliament as far back as 2009, before many of our competitors embraced their responsibilities. To further endorse our environmental achievements, we have been audited and accredited with the ISO14001.

Purchasing Avalon Kitchen Furniture ensures you are acting responsibly.

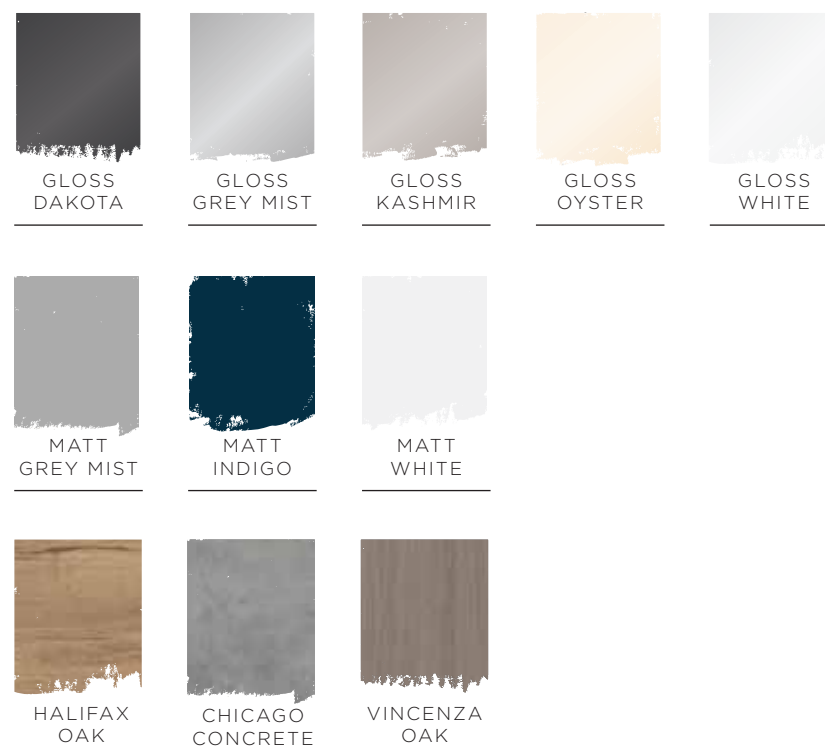


MODERNA

collection

European influence, adapted for UK installation. This linear handless design is now becoming mainstream within Great Britain. Available in a choice of five gloss colours, three super matt colours and three melamine finishes. Gola profiles available in brushed aluminium or matt graphite. Equally as stunning as a single colour/texture or a mix. The **Moderna** collection comes assembled but is also available ready to assemble in our **Moderna Valore** category.

colours



Avalon Moderna Image
Gloss White with brushed
aluminium gola profiles.



MODERNA GLOSS WHITE





MODERNA GLOSS GREY MIST WITH VINCENZA OAK



GLOSS
GREY MIST



VINCENZA
OAK



MODERNA GLOSS WHITE WITH CHICAGO CONCRETE



GLOSS
WHITE



CHICAGO
CONCRETE



MODERNA GLOSS DAKOTA





MODERNA GLOSS WHITE WITH GLOSS GREY MIST



GLOSS
GREY MIST



GLOSS
WHITE



MODERNA GLOSS GREY MIST WITH GLOSS DAKOTA



GLOSS
GREY MIST



GLOSS
DAKOTA



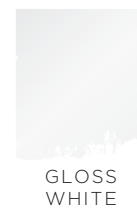
MODERNA GLOSS KASHMIR



GLOSS
KASHMIR



MODERNA GLOSS WHITE WITH HALIFAX OAK



GLOSS
WHITE



HALIFAX
OAK



MODERNA MATT WHITE WITH MATT INDIGO



INTEGRA MATT

PAINTED TO ORDER

collection

"J" Profile sculptured handleless contemporary design. Simplistic and unfussy. The linear handle design flows from door to door, door to drawer and even around corners. Available in the Avalon spectrum of made to order painted colours.

colours





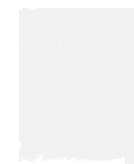
INTEGRA DEEP LICHEN



DEEP
LICHEN



INTEGRA MATT WHITE



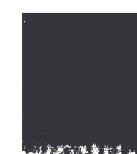
WHITE



INTEGRA BLEACHED STONE AND ANTHRACITE



BLEACHED
STONE



ANTHRACITE



INTEGRA FJORD



FJORD

INTEGRA GLOSS

collection

"J" Profile sculptured handleless contemporary design, presented in a high gloss painted finish. May be selected as a stand-alone colour/finish or mixed with one of the other Avalon Integra gloss colours or possibly with Integra matt. The options are only limited by imagination.

colours



GLOSS
DAKOTA



GLOSS
GREY MIST



GLOSS
KASHMIR



GLOSS
OYSTER

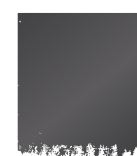


GLOSS
WHITE





INTEGRA GLOSS DAKOTA



GLOSS
DAKOTA



INTEGRA GLOSS OYSTER



GLOSS
OYSTER



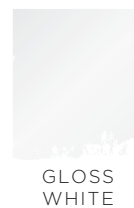
INTEGRA GLOSS KASHMIR



GLOSS
KASHMIR



INTEGRA GLOSS WHITE



GLOSS
WHITE



INTEGRA GLOSS GREY MIST



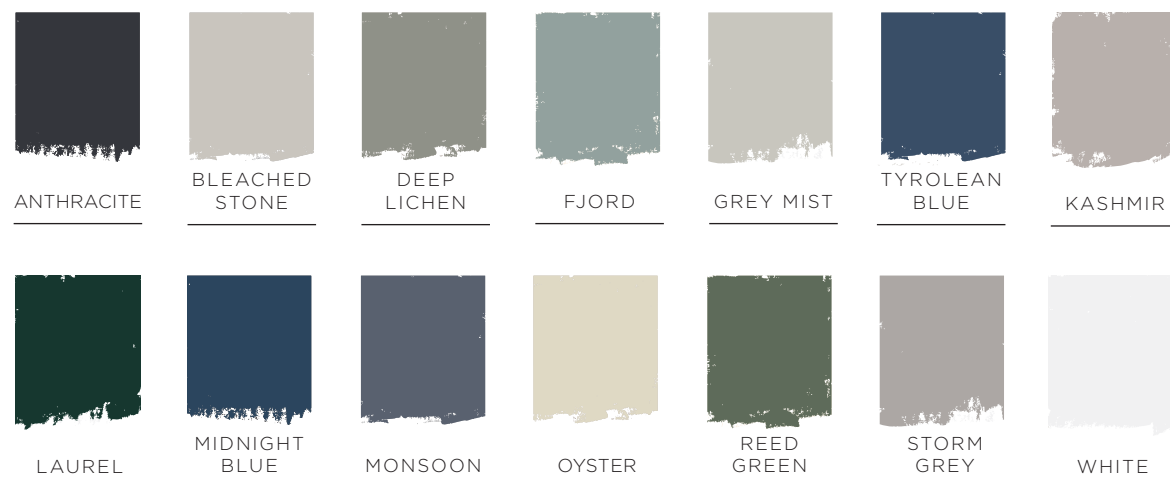
GLOSS
GREY MIST

HADDINGTON

collection

Traditional leaning slightly towards contemporary. Smooth butt joints. Vertical beading on the frame and horizontal grain centre panel are features that soften the traditional values of a painted timber door. For those who desire Traditional, with a contemporary twist. Available in the Avalon spectrum of painted to order colours.

colours



Haddington Storm Grey
and Anthracite



HADDINGTON REED GREEN





HADDINGTON OYSTER



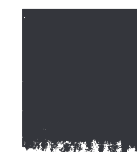
OYSTER



HADDINGTON STORM GREY AND ANTHRACITE



STORM
GREY



ANTHRACITE



HADDINGTON FJORD



FJORD



HADDINGTON LAUREL



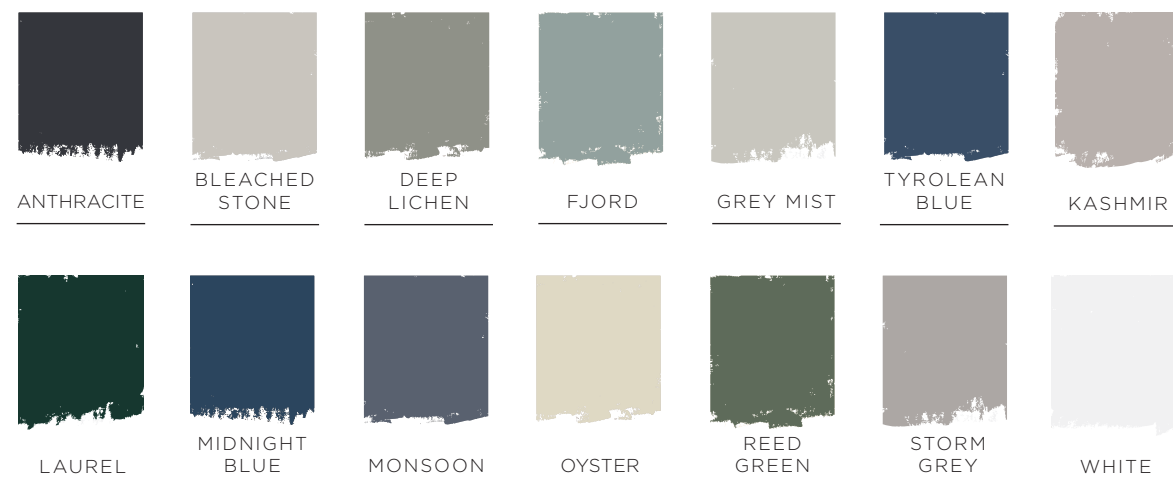
LAUREL

PENDLE

collection

Classic traditional Shaker styling. Square timber frame, with "V" groove joints. Vertical grain centre panel. Befitting of any Kitchen that demands a true traditional Kitchen furniture. Available in the Avalon spectrum of painted to order colours.

colours



Avalon Pendle.
Presented in Antracite
with Bleached Stone.



PENDLE TYROLEAN BLUE





PENDLE TIMBER PAINTED



OYSTER



PENDLE BLEACHED STONE AND ANTHRACITE



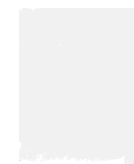
BLEACHED
STONE



ANTHRACITE



PENDLE WHITE



WHITE

KINDER

collection

Kinder is purposely designed to replicate a painted timber shaker Kitchen. The door construction is almost identical to timber, although the materials used are painted timber effect, with a tactile wood grain finish. Hard wearing and offers a saving when compared directly to painted timber. Available in Grey Mist, Dust Grey and Indigo Blue.

colours



GREY
MIST



INDIGO
BLUE



DUST
GREY



Avalon Kinder
Grey Mist.



KINDER GREY MIST & DUST GREY



GREY
MIST



DUST
GREY



KINDER GREY MIST





KINDER INDIGO BLUE

78

AVALON



INDIGO
BLUE



KINDER DUST GREY



DUST
GREY

IMAGE

collection

Iconic gloss square slab design. A Kitchen statement that will stand the test of time. High gloss lacquered finish fascias, with complimentary gloss melamine accessories. Clean and uncluttered. Available in Gloss White, Gloss Grey Mist, Gloss Kashmir, Gloss Dakota Grey and Gloss Oyster.

IMAGE LINEAR

Image takes on Germanic styling with the addition of the full width factory installed brushed stainless steel effect handle. Available in all of the Image colourways.

colours



GLOSS
DAKOTA



GLOSS
GREY MIST



GLOSS
KASHMIR



GLOSS
OYSTER



GLOSS
WHITE



Avalon Image
Kashmir.



IMAGE GLOSS DAKOTA





IMAGE GLOSS KASHMIR



GLOSS
KASHMIR



IMAGE GLOSS OYSTER



GLOSS
OYSTER



IMAGE LINEAR GLOSS GREY MIST



GLOSS
GREY MIST



IMAGE GLOSS WHITE



SOLENT

collection

Solent offers a combination of elegance and sophistication. This soft modern Shaker styled kitchen, with its clean lines and shallow centre panel is for the discerning home owner. Available in a wide selection of matt paint effect colours. See below for the Avalon Solent colour choices.

colours



Avalon Solent
Tyrolean Blue



SOLENT GLOSS GREY MIST



GLOSS
GREY MIST



SOLENT GREY MIST



GREY MIST



SOLENT KASHMIR

100
AVALON



KASHMIR



SOLENT OYSTER



OYSTER



SOLENT FJORD





SOLENT TYROLEAN BLUE



TYROLEAN
BLUE

METRO

collection

As the name suggests, this cosmopolitan contemporary styled slab Kitchen has evolved from its Urban roots and is now one of the most popular styles available. Simple, flat with a soft radius, Metro may be presented as a single colour or mixed to compliment or contrast. Available in the Avalon Metro colour of your choice.

colours



Avalon Metro
Indigo



METRO INDIGO

110
AVALON



INDIGO
BLUE



METRO DUST GREY AND WHITE

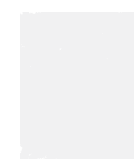




METRO FJORD AND WHITE



FJORD



WHITE



METRO GREY MIST



GREY MIST



METRO SAGE GREEN



STORAGE

solutions

Diagonal Larder Unit.

Despite how large the kitchen is, there is never enough storage space, until now! The diagonal corner larder unit, is a throw back to the days of a Kitchen pantry. It may be used for the storage of the family provisions or kitchenware and beyond. Featuring a diagonal base panel and top panel, internally the unit includes five "L" shape adjustable one piece shelves, making full use of the space available. 107 degree soft close hinges, ensure access is made as easy as possible.

Double Larder Unit.

Banks of tall appliance housings, and larder units are popular features within today's kitchen design. Storage is frequently insufficient. The double larder unit offers clever storage options in abundance, whilst blending into the bank of tall unit trend. 107 degree soft close hinges, ensure access is made as easy as possible. It is available in a host of options; 800mm width, 1000mm width and 1200mm width options.



Solutions designed to make the most of your storage space



DIAGONAL LARDER UNITS



SINGLE DOOR CORNER LARDER UNIT

Single 600mm wide Larder door (left hand hinge or right hand hinge).

Standard height only, White, Oyster, Kashmir & Grey Mist cabinets only (internally).

Matt Painted colours require plant on panels externally. (Width of cabinet 1029mm x 1029mm).

DOUBLE DOOR CORNER LARDER UNIT

Two x 400mm wide Larder doors, opening centrally. Standard height only, White, Oyster, Kashmir & Grey Mist cabinets only (internally).

Matt Painted colours require plant on panels externally. (Width of cabinet 1170mm x 1170mm).



DOUBLE DOOR LARDER UNITS



DOUBLE DOOR TWO DRAWER LARDER UNIT

Two Deep pan drawers. Above two 1245mm tall larder doors, opening centrally. Above the drawers there are two fixed shelves

and two adjustable shelves.

Available in standard height, White, Oyster, Kashmir & Grey Mist cabinets only (internally).

Matt Painted colours require plant on panels externally.

DOUBLE DOOR LARDER UNIT

Two 1965mm tall larder doors opening centrally. When opened, revealing two full width internal deep pan drawers.

Above the drawers there are two fixed shelves and two adjustable shelves.

Available in standard height, White, Oyster, Kashmir & Grey Mist cabinets only (internally).

Matt Painted colours require plant on panels externally.



HINGES & drawerboxes

Blum products come as standard in all Avalon Kitchens

Why have we chosen Blum?

Avalon Kitchen Furniture is manufactured in a modern production facility within the UK.

Great detail and consideration is taken when sourcing materials from the UK and Europe to ensure our Kitchens are of the finest quality and highest specification.

There are very few moving components within a Kitchen, therefore it makes perfect sense to include the very best fittings to ensure your kitchen operates as well in twenty years' time, as it does the day it is installed.

This is why Avalon Kitchen Furniture use Blum fittings. Blum are widely regarded as manufacturing the best, most innovative kitchen fittings within the industry. Founded in 1952 in Austria, Blum has grown into a €1.5 billion business trading in over 120 countries around the world. Blum fittings are not only meticulously engineered to perfection, they are aesthetically designed to harmonise with our furniture.

Blum Lifetime Guarantee

Such is Blum's confidence with their manufacturing excellence, in the unlikely event of any defect occurring within a Blum fitting, they will replace it free of charge, regardless of its age.

CLIP top BLUMOTION Hinges

Neat and sleek with integrated soft close as standard. Ensuring cabinet doors open easily and close effortlessly.

TANDEMBOX Antaro Drawers

Our drawers are a Mellow grey toned metal sided drawer with a 16 mm co-ordinating solid base. Low-friction cylindrical nylon rollers guarantee a feather-light glide and dynamic carrying capacities of 30kg, 50kg and 65kg.

Thanks to soft-close BLUMOTION, drawers and pull-outs will always close softly.

AVENTOS HF Bi-fold lift system

AVENTOS HF is an award-winning lift system for bi-fold fronts both high and large. The system provides endless possibilities in planning and design with little installation effort. AVENTOS HF offers direct access, ease of use and freedom of movement.



WORKTOP

collection

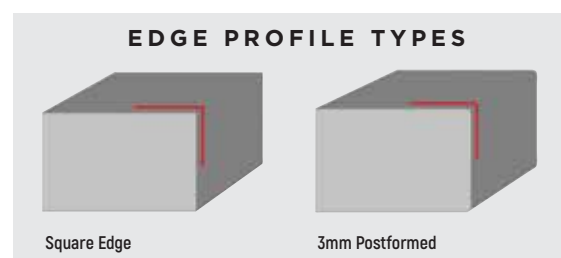
In a selection of contemporary and traditional finishes, our worktops are manufactured to the highest standards while maintaining affordability. Designed to withstand the rigours of everyday cooking, eating, working and playing our collection has something to suit any kitchen aesthetic. Our laminate worktops are available with postformed or square edged profiles to assist styling and practicality. Whether you choose laminate or compact surfaces we have the solution.

Look & Feel Real

Today's trends see surfaces go natural, from rustic and planked timber, to characterful stone and natural marble. For the more adventurous, we have included a choice of industrial finishes

Accessorize The Look

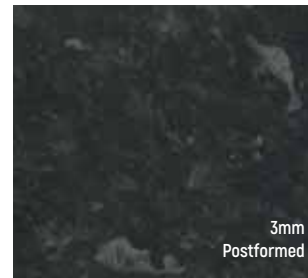
Co-ordinating splashbacks and upstands are an effective way to complete and enhance your kitchen design. They also remove the need of tiles saving you installation and maintenance time and money. Please check decor for availability.



LAMINATE WORKTOP

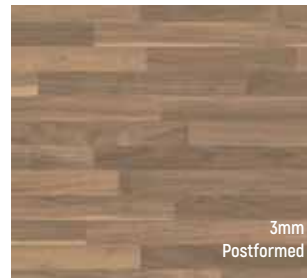
collection

LUX



Everest

Available in:-
3000mmx600mmx40mm Worktop
3000mmx900mmx40mm Breakfast Bar
3000mmx100mm Upstand



Walnut

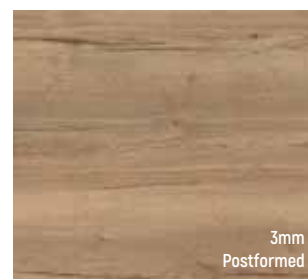
Available in:-
3000mmx600mmx40mm Worktop
3000mmx900mmx40mm Breakfast Bar
3000mmx100mm Upstand



Oak

Available in:-
3000mmx600mmx40mm Worktop
3000mmx665mmx40mm Breakfast Bar
3000mmx900mmx40mm Breakfast Bar
3000mmx100mm Upstand
3000mmx1200mm Splashback

LUX PLUS



Natural Halifax Oak

Available in:-
3000mmx600mmx40mm Worktop
3000mmx900mmx40mm Breakfast Bar
3000mmx100mm Upstand



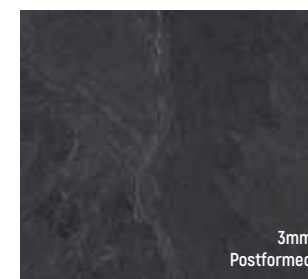
White Halifax Oak

Available in:-
3000mmx600mmx40mm Worktop
3000mmx900mmx40mm Breakfast Bar
3000mmx100mm Upstand



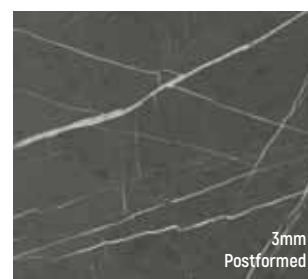
Anthracite Metal Rock

Available in:-
3000mmx600mmx40mm Worktop
3000mmx900mmx40mm Breakfast Bar
3000mmx100mm Upstand



Luserna Nero Luna

Available in:-
3000mmx600mmx40mm Worktop
3000mmx900mmx40mm Breakfast Bar
3000mmx100mm Upstand



Grey Pietra Marble

Available in:-
3000mmx600mmx40mm Worktop
3000mmx900mmx40mm Breakfast Bar
3000mmx100mm Upstand



White Carrara Marble

Available in:-
3000mmx600mmx40mm Worktop
3000mmx665mmx40mm Breakfast Bar
3000mmx900mmx40mm Breakfast Bar
3000mmx100mm Upstand
3000mmx1200mm Splashback



Jackson Pine

Available in:-
3000mmx600mmx40mm Worktop
3000mmx665mmx40mm Breakfast Bar
3000mmx900mmx40mm Breakfast Bar
3000mmx100mm Upstand
3000mmx1200mm Splashback

DESIGN TIP

Why not incorporate a matching upstand or splashback to create definition and continuity to your kitchen worktop.

Upstand:
3m x 100 x 18mm

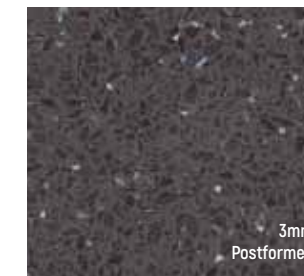
Splashback:
3m x 1200 x 6mm

LUX SPARKLE



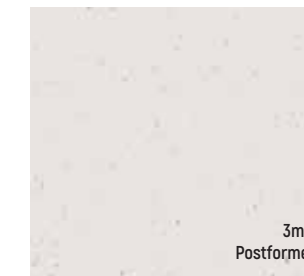
White Terazzo Gloss

Available in:-
3000mmx600mmx40mm Worktop
3000mmx900mmx40mm Breakfast Bar
3000mmx100mm Upstand



Tawny Crystal Gloss

Available in:-
3000mmx600mmx40mm Worktop
3000mmx900mmx40mm Breakfast Bar
3000mmx100mm Upstand



White Andromeda Matt

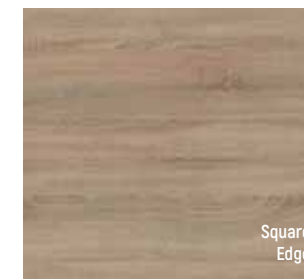
Available in:-
3000mmx600mmx40mm Worktop
3000mmx900mmx40mm Breakfast Bar
3000mmx100mm Upstand



Grey Andromeda Matt

Available in:-
3000mmx600mmx40mm Worktop
3000mmx900mmx40mm Breakfast Bar
3000mmx100mm Upstand

SQUARE EDGE



Grey Bardolino Oak

Available in:-
3000mmx600mmx40mm Worktop
3000mmx665mmx40mm Breakfast Bar
3000mmx900mmx40mm Breakfast Bar
3000mmx100mm Upstand
3000mmx1200mm Splashback



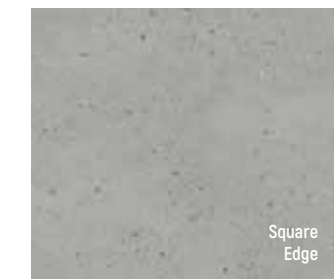
Driftwood

Available in:-
3000mmx600mmx40mm Worktop
3000mmx665mmx40mm Breakfast Bar
3000mmx900mmx40mm Breakfast Bar
3000mmx100mm Upstand
3000mmx1200mm Splashback



Light Grey Chicago Concrete

Available in:-
3000mmx600mmx40mm Worktop
3000mmx900mmx40mm Breakfast Bar
3000mmx100mm Upstand



Cento

Available in:-
3000mmx600mmx40mm Worktop
3000mmx900mmx40mm Breakfast Bar
3000mmx100mm Upstand



White Carrara Marble

STRATUS

KITCHEN SURFACE SOLUTIONS

12MM COMPACT LAMINATE WORKTOPS

SLIMLINE & DURABLE. As design trends have developed to thinner worktops, the Stratus range of 12mm compact worktops takes the design solutions available to a whole new level.

These durable, modern designs with a range of textures, offer sleek lines combined with a high level of performance in the demanding kitchen environment. Stratus brings to you a way to turn your kitchen into a piece of art.

Presenting Stratus Kitchen Surface Solutions, a co-ordinated range including breakfast bars, worktops, splashbacks and upstands.

A perfect blend of style, utility and durability, these temperature-neutral and easy-to-install kitchen surfaces bring your kitchen alive through countless textures and designs. Available in natural stone, marbles and industrial finishes.

ABRASION RESISTANT
MOISTURE RESISTANT
SUSTAINABLE
HIGH WEAR RESISTANCE
IMPACT RESISTANT
MACHINABLE THROUGH ITS THICKNESS
EASY TO FABRICATE
TEMPERATURE NEUTRAL

SELF SUPPORTING (12MM)
HEAT RESISTANT
FIRE RESISTANT
EASY TO MAINTAIN
SAFE CONTACT WITH FOOD
AIR QUALITY GREENGUARD CERTIFIED
BEAUTIFUL TEXTURES
ANTI-BACTERIAL

SPLASHBACK
UPSTAND
WORKTOP
BREAKFAST BAR

COMPLETE SURFACE SOLUTIONS FOR YOUR KITCHEN

AVAILABLE IN:-

3050mm x 615/645mm x 12mm Worktop

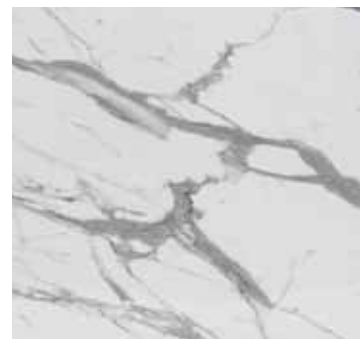
3050mm x 900mm x 12mm Worktop

3050mm x 95mm x 12mm Upstand

3000mm x 600mm x 9mm Splashback (MDF)



Black Satin
Black Core



Statuario - Stone
(Satin)
White Core



Madison - Concrete
(Suade)
Black Core



Dark Grey Marble
Black Core



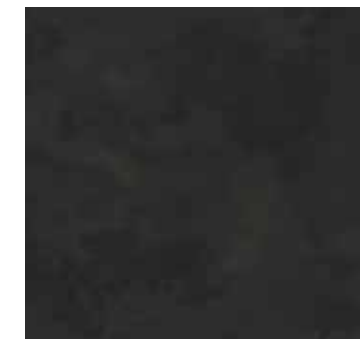
Black Marmor - Stone
(Satin)
Black Core



Houston - Concrete
(Suade)
Black Core



Venice Mrble
White Core



Neptunite - Concrete
Black Core



Antico - Concrete
Black Core



White Aurora
White Core

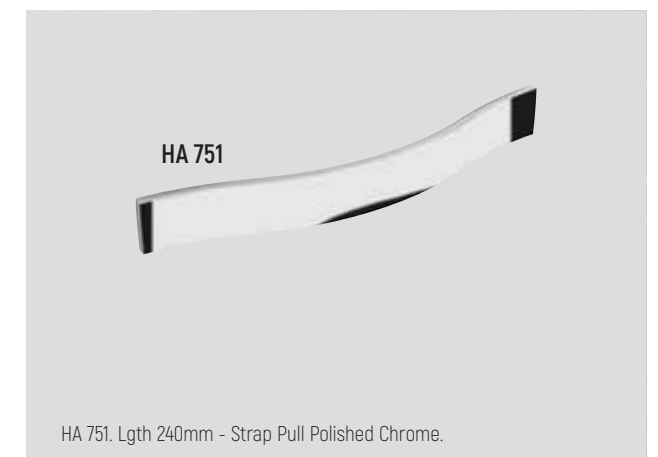
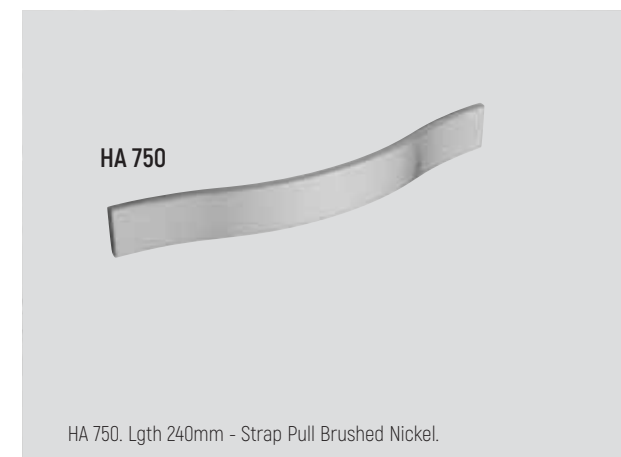
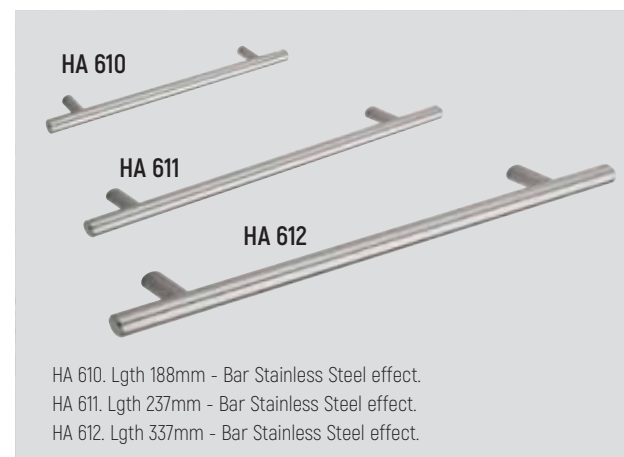
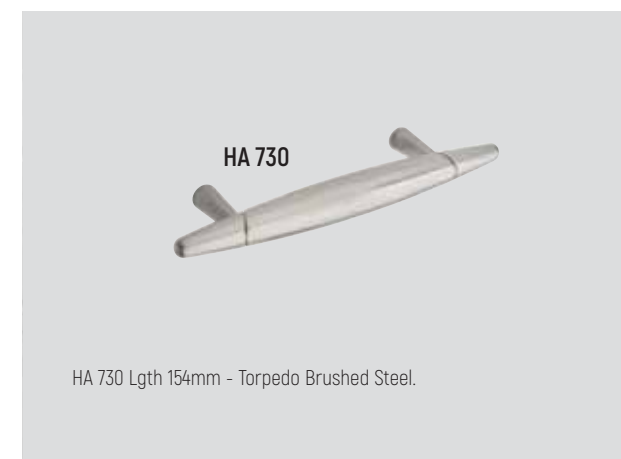
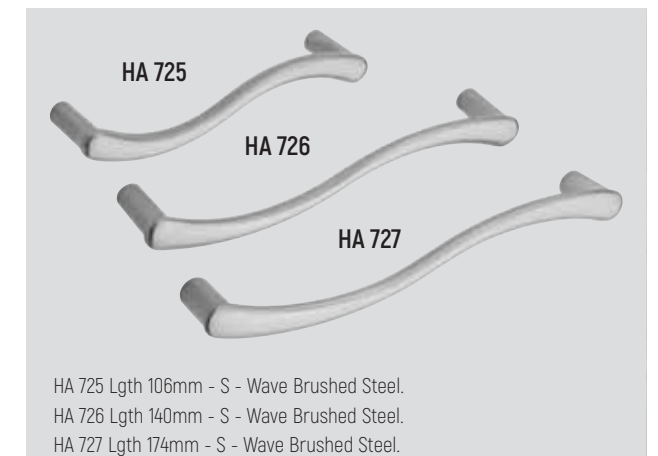
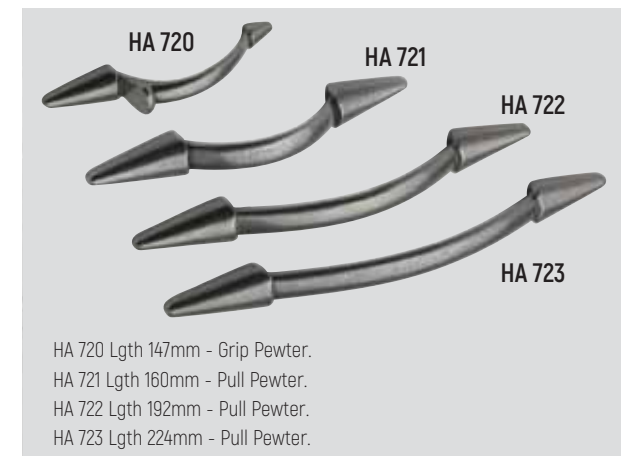
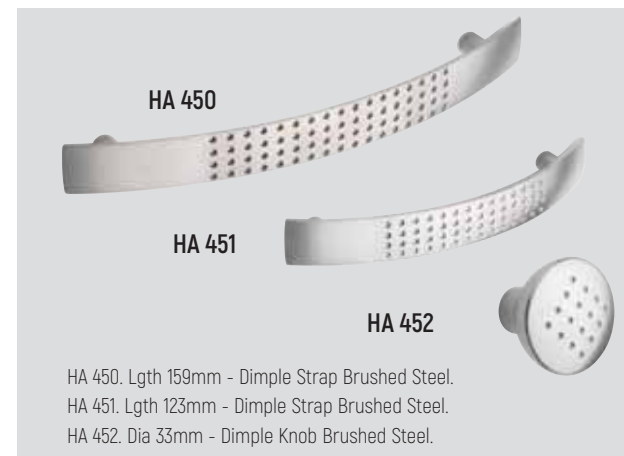
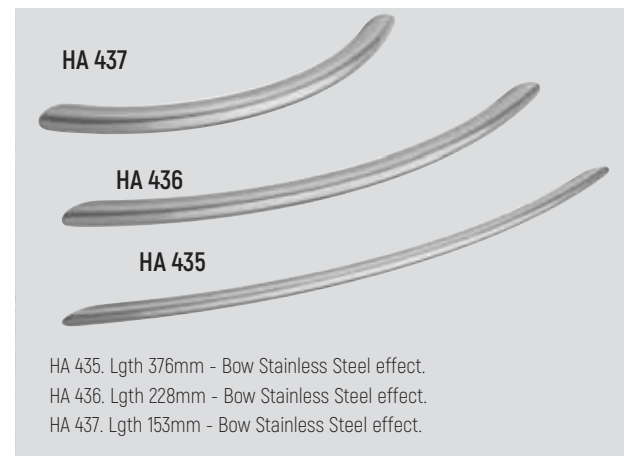
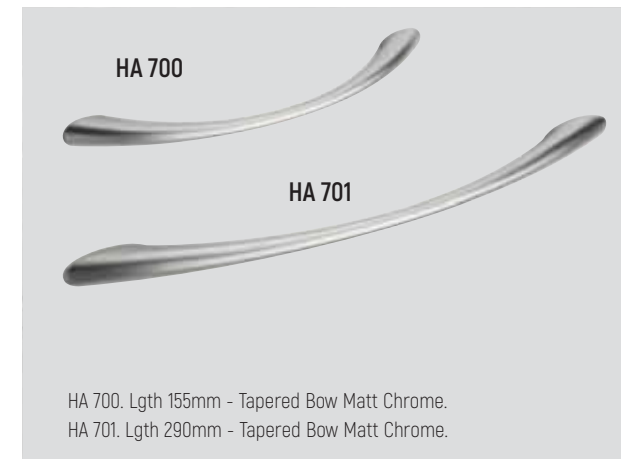
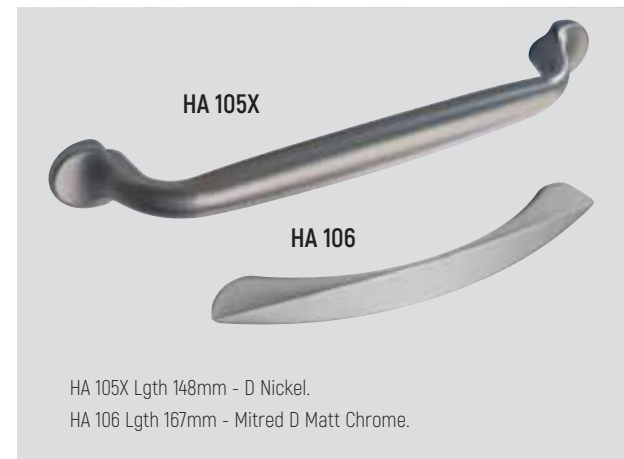
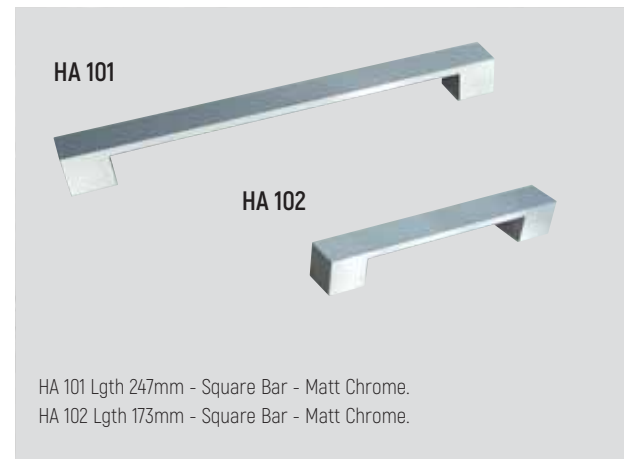
HANDLE

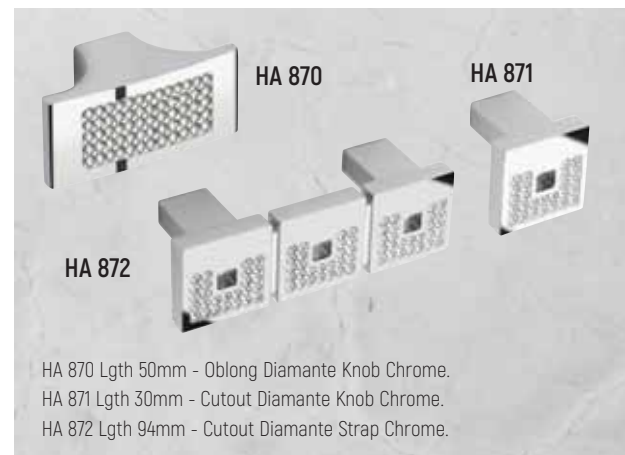
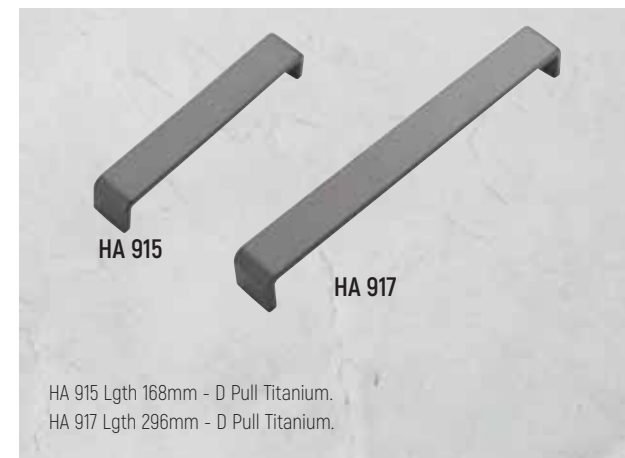
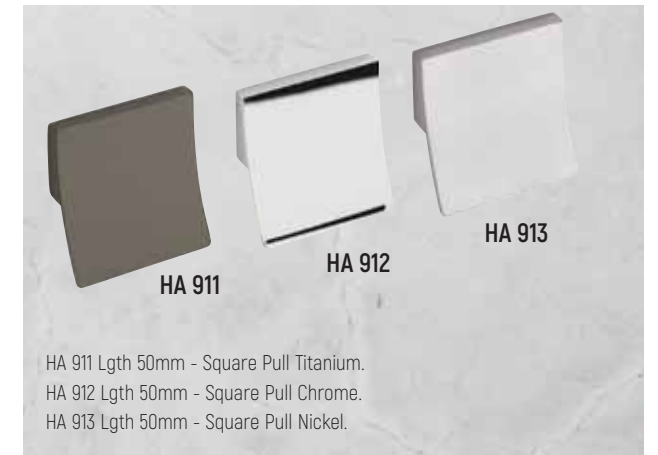
collection

Selecting handles is akin to placing the cherry on top of the cake. Our vast range plays to both contemporary and traditional, offering finishes in

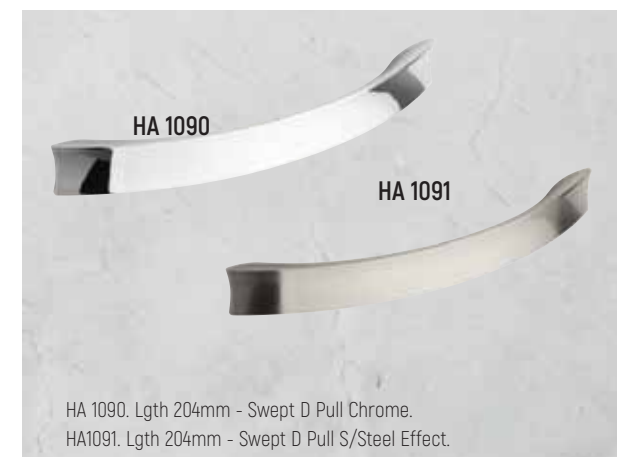
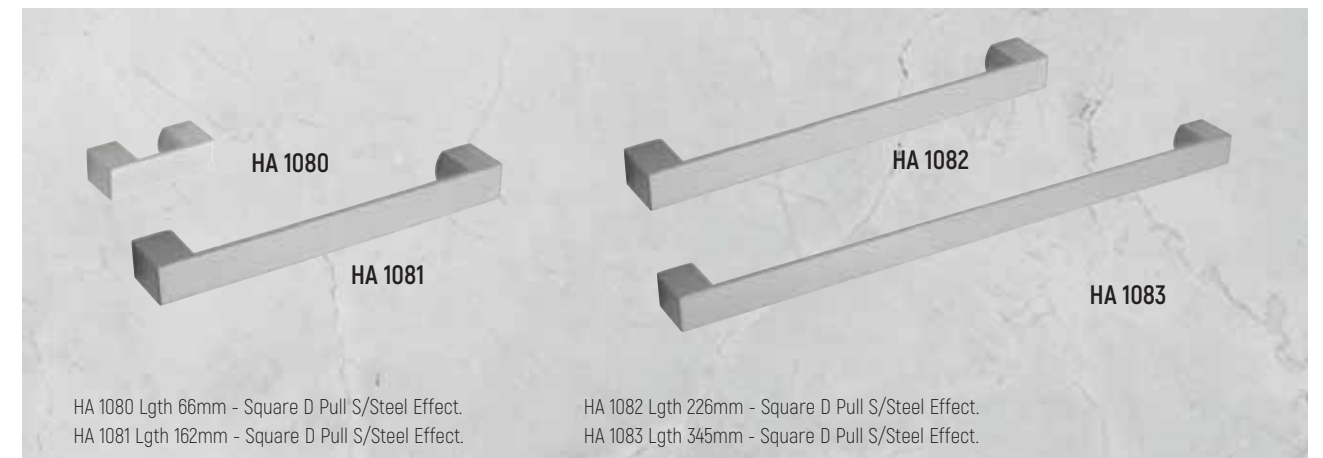
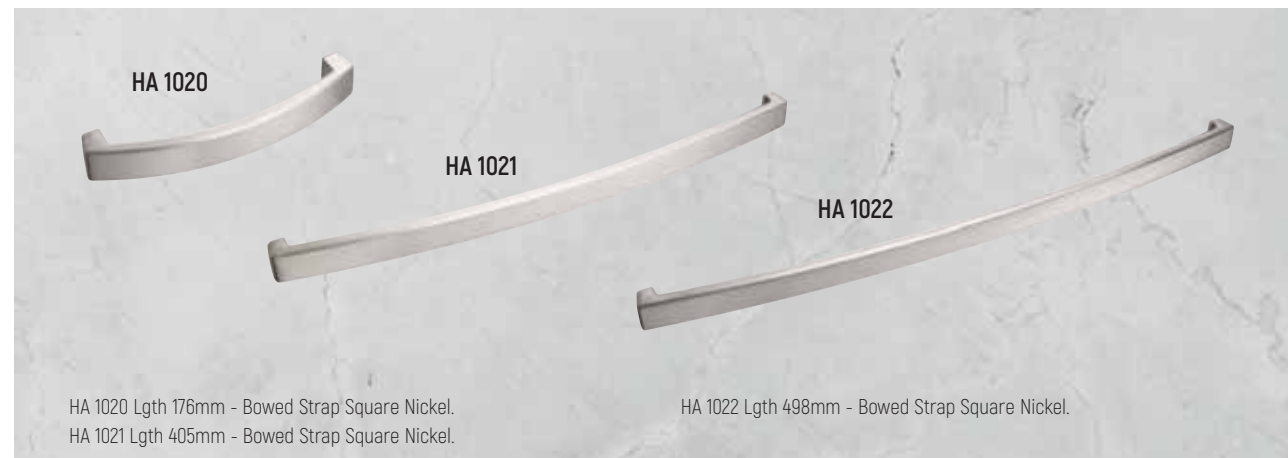
pewter, chrome, stainless, copper and brass. Scale of handle and positioning on the doors and drawer fronts is also worthy of careful consideration.

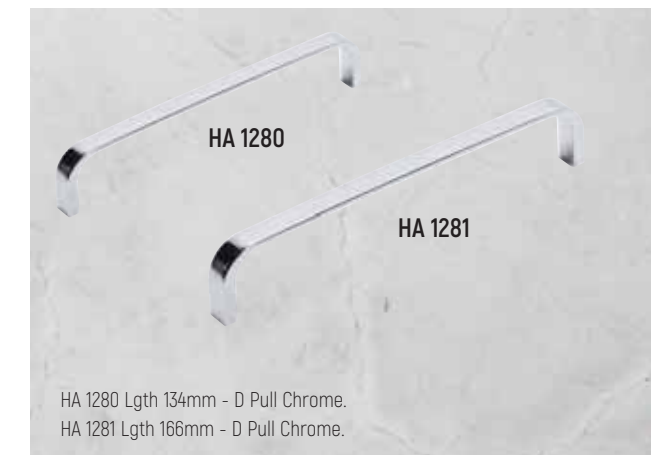
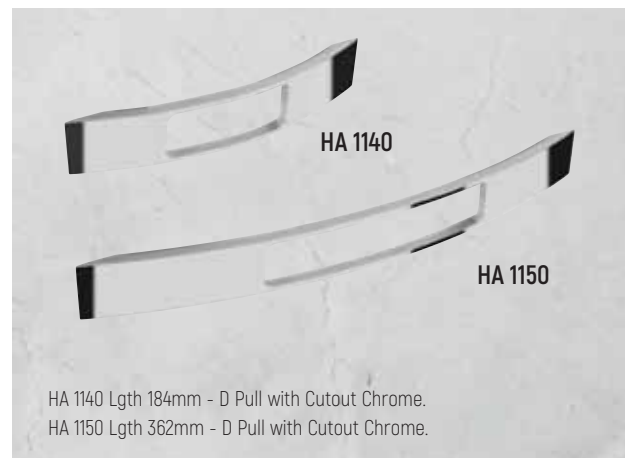
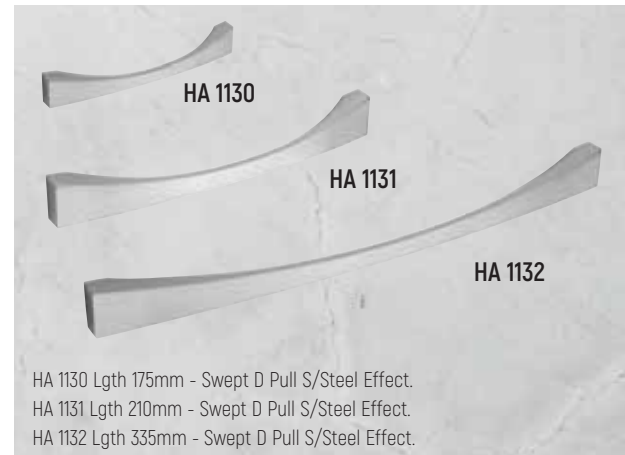
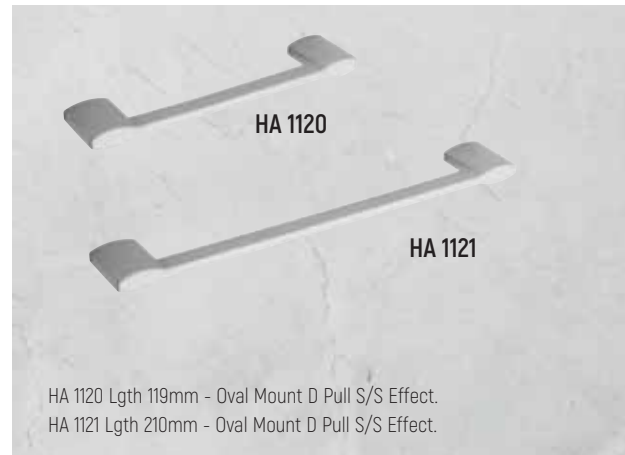


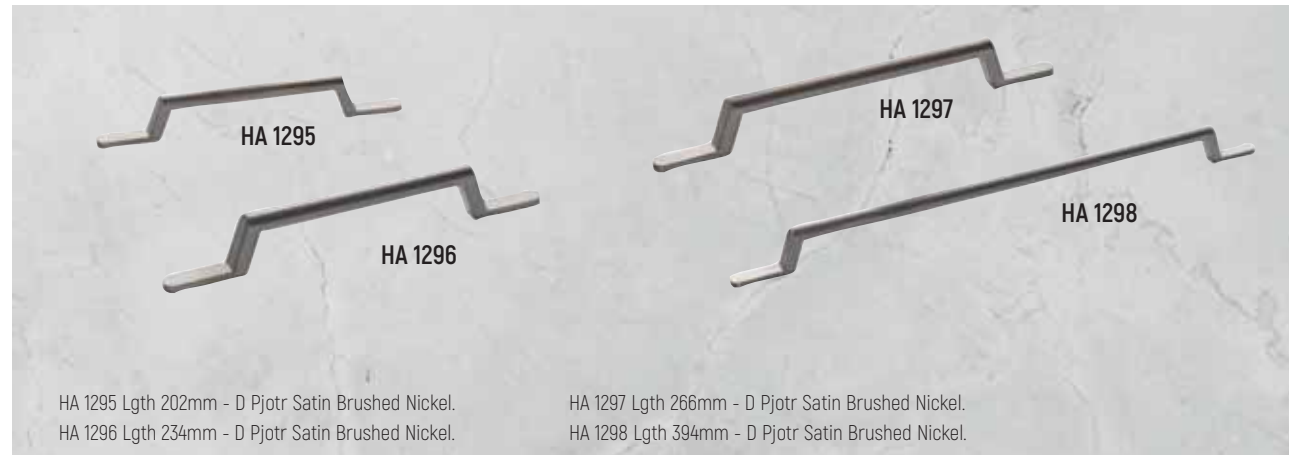


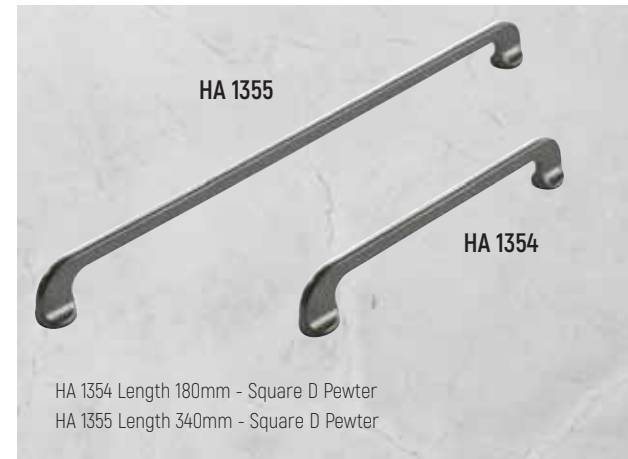














GUARANTEES

Avalon Kitchen furniture has guarantees of up to 15 years from the date of purchase.

In the unlikely event that any furniture proves defective, as a result of faults within design, materials or manufacturing processes, Avalon Kitchen Furniture will replace or repair at our discretion, providing the proof of purchase has been retained by the original purchaser.

It is essential that the furniture has been installed in accordance with the instructions, appliance

manufacturers instructions and current legislation. No responsibility is accepted for colour fade. Domestic installation only.

Please report any potential guarantee claim, to the retailer whom supplied the furniture, as soon as the issue is noticed. Liability does not extend to consequential loss or damage.

See www.jjoplc.com for further details.

FIRA GOLD AWARD



Avalon Kitchen furniture has been rigorously tested to destruction by FIRA (Furniture industry research association) who are independent furniture specialists. Avalon Kitchen Furniture holds the prestigious

Gold award in recognition of its quality, rigidity and prolonged use within the Kitchen environment. Please note: Diagonal Corner Larder Units and Chefs Pantry units do not hold this accreditation.

AVALON

